

Silverlink 600 Bains Marie (Dry Heat)

Key Features

- Type: Electric
- Counter-top unit
- Simmerstat temperature control
- Dry heat operation (direct heat)
- Supplied with pots and lids
- Nitrile rubber feet



BS3

Construction

- Body: stainless steel grade 430
- Pots: stainless steel grade 304 (BS) or : aluminium (BA)

Available Options

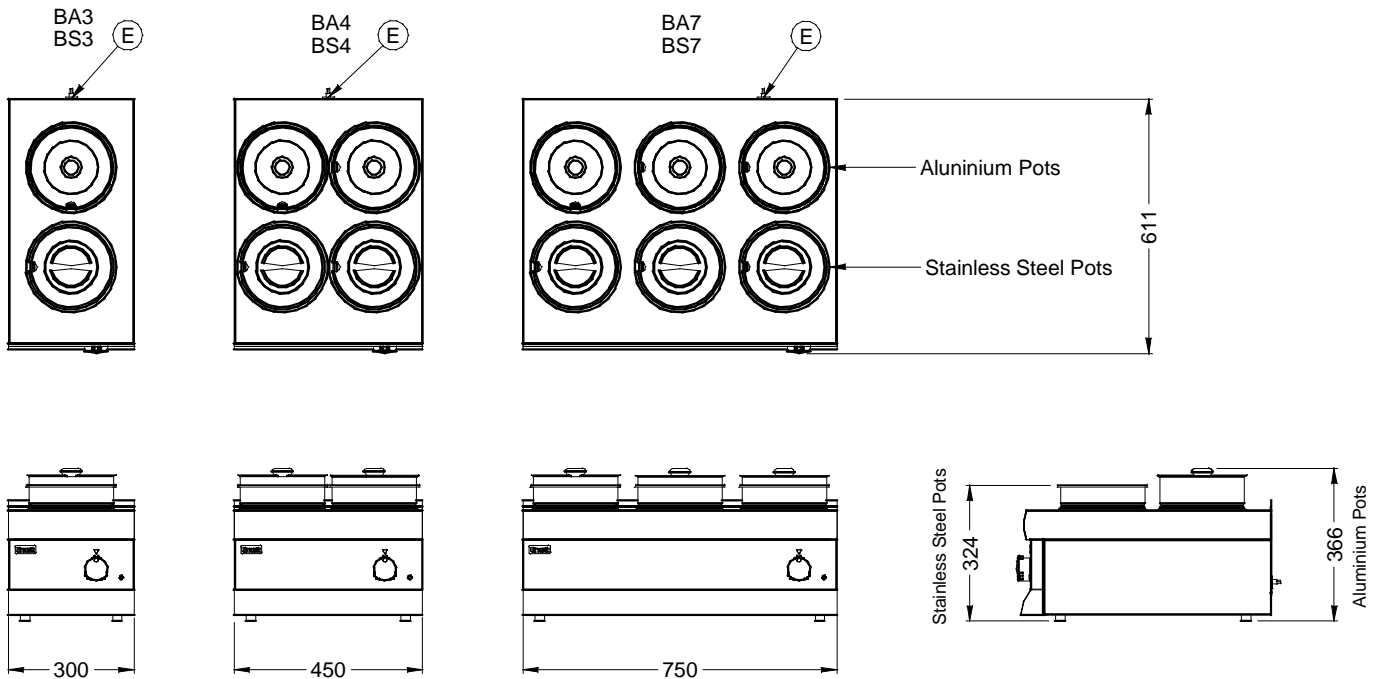
- Choice of stainless steel or aluminium pots
- 2, 4 and 6 pot sizes

Available Accessories

- Various pedestals and stands

Specifications

Model	BA3	BS3	BA4	BS4	BA7	BS7
External height (mm)	366	324	366	324	366	324
External width (mm)	300	300	450	450	750	750
External depth (mm)	611	611	611	611	611	611
Number of pots	2	2	4	4	6	6
Pot capacity (litres)	4.5	4.5	4.5	4.5	4.5	4.5
Net weight unpacked (kg)	10.0	10.0	14.5	14.5	19.95	19.95
Gross weight packed (kg)	16	16	20	20	28	28
Shipping volume (m ³)	0.145	0.145	0.214	0.214	0.309	0.309
Total electrical power rating (kW)	0.5	0.5	0.75	0.75	1.0	1.0
Electrical supply 1N~+E 230V 50-60Hz Current rating (A)	2.2	2.2	3.3	3.3	4.3	4.3



Lincat Limited, Whisby Road,
Lincoln LN6 3QZ,
United Kingdom

UK Sales Tel: 01522 875500 UK Spares Tel: 01522 875510 UK General Tel: 01522 875555
 UK Fax: 01522 875530 International Sales Tel: +44 1522 503250 International Fax: +44 1522 875530
 Website: www.lincat.co.uk UK Sales e-mail: sales@lincat.co.uk International Sales e-mail: export@lincat.co.uk



Document ref:
S-LINKBAINPOT
Issue date: Oct-09