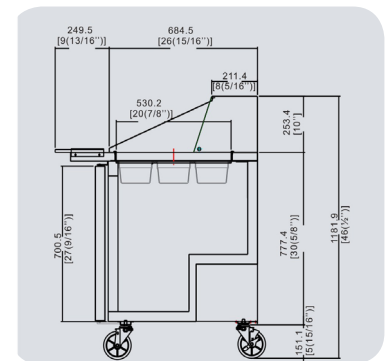
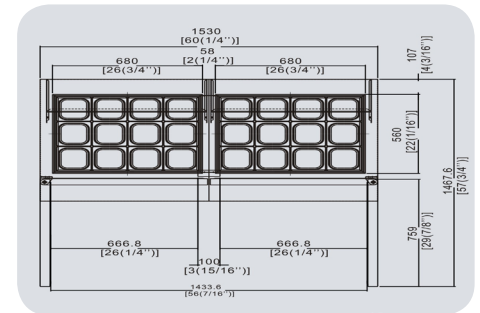




STV1530MT Mega Top Preparation Counter Refrigerator



Description

Designed to maximise salad, sandwich and pizza preparation. 2 x 2/1 GN sections for food separation

Very useful dual zone top that will accept 1/3, 1/2 and 1/4 GN pans preserves meats, dairy and general produce.

Star Features

- Forced air cooling top
- 24 GN1/6 pans not included
- Large cutting board
- Excellent understorage
- Insulated top lids
- Ventilated cooling
- Quality stainless
- Auto defrost
- Swivel castors - heavy duty
- Big storage doors
- 2 Adjustable shelves
- Easy fit door seals

Technical Specification

Model	STV1530MT Prep Counter
Dimensions	W1530 x D863 x H1183
Temperature Range	+1°C to +8°C
Capacity Nett	526 Litres
Compressor	EMBRACO EGU130HLR
Refrigerant	R134a
Power	13Amp Plug
Nett Weight	160Kg
Shipping Weight	174Kg

